



CALLAN

SPECIFICATION SHEET

The Callan lounge series features a rustic charm with a modern twist. The chair is built with a wooden frame and slatted wood back, comfortable foam back and seat cushion with a durable upholstered finish.



CHAIR

MODEL #CAL28

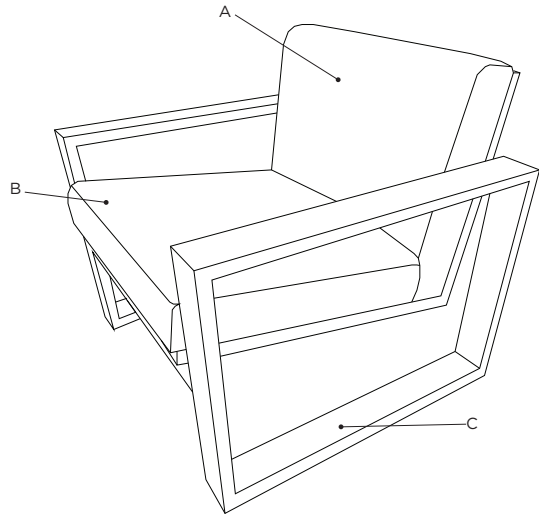
DIMENSIONS

- Length: 28"
- Seat Depth: 30"
- Seat Height: 18"
- Overall Height: 32 1/2"

MATERIAL OPTIONS

See resources page for additional information.

- (A) Back**
Upholstery (U)
- (B) Seat**
Upholstery (U)
- (C) Frame**
Wood (W)



UPGRADE OPTIONS

Other Request (OQ)

